



IROC Rhode Island QA Center
Quality Assurance Review Center
Building B, Suite 201
640 George Washington Highway
Lincoln, RI 02865-4207
Phone (401) 753-7600
Fax: (401) 753-7601
www.irocri.qarc.org

IROC Houston QA Center
M.D. Anderson Cancer Center
8060 EL Rio Street
Houston, TX 77054
Phone (713) 745-8989
Fax: (713) 794-1364
irochouston.mdanderson.org

IMRT BENCHMARK

An institution may become credentialed to use IMRT in clinical trials either by successfully completing this IMRT benchmark or by successfully completing an IMRT phantom irradiation. Unless a phantom measurement credentialing process is required by a specific protocol or by the NCI, the successful completion of the IMRT benchmark has been accepted by all of the NCTN trial groups and Quality Assurance Offices as a minimum standard for an institution to be credentialed for use of IMRT in clinical trials. The benchmark is not site specific, i.e. it applies to IMRT treatment of all disease sites. If an institution successfully irradiates the IMRT Head and Neck phantom, this successful irradiation will satisfy the IMRT benchmark requirement. Guidelines for the IROC Houston phantom credentialing process can be obtained from the IROC Houston website (<http://irochouston.mdanderson.org>).

This benchmark is not applicable to Cyberknife units. Cyberknife users must complete the head and neck phantom irradiation.

Whichever credentialing pathway an institution chooses, i.e. the IROC Houston phantom irradiation or this benchmark, the institution must complete the credentialing process following the chosen pathway. Institutions unable to pass the IROC Houston phantom test will not be considered for credentialing using the benchmark; likewise institutions unable to pass the benchmark test will not be considered for credentialing with the IROC Houston phantom.

Once you have been credentialed for IMRT, your institution will not need to repeat the credentialing steps unless there is a change in IMRT delivery technique (such as tomotherapy) or a protocol specifically requires additional IMRT credentialing. If there is any question about your credentialing status the institution should contact either the IROC Houston QA Center or the IROC Rhode Island QA Center.

IROC Houston QA Center
Phone: (713)745-8989
Email: irochouston@mdanderson.org
<http://irochouston.mdanderson.org>

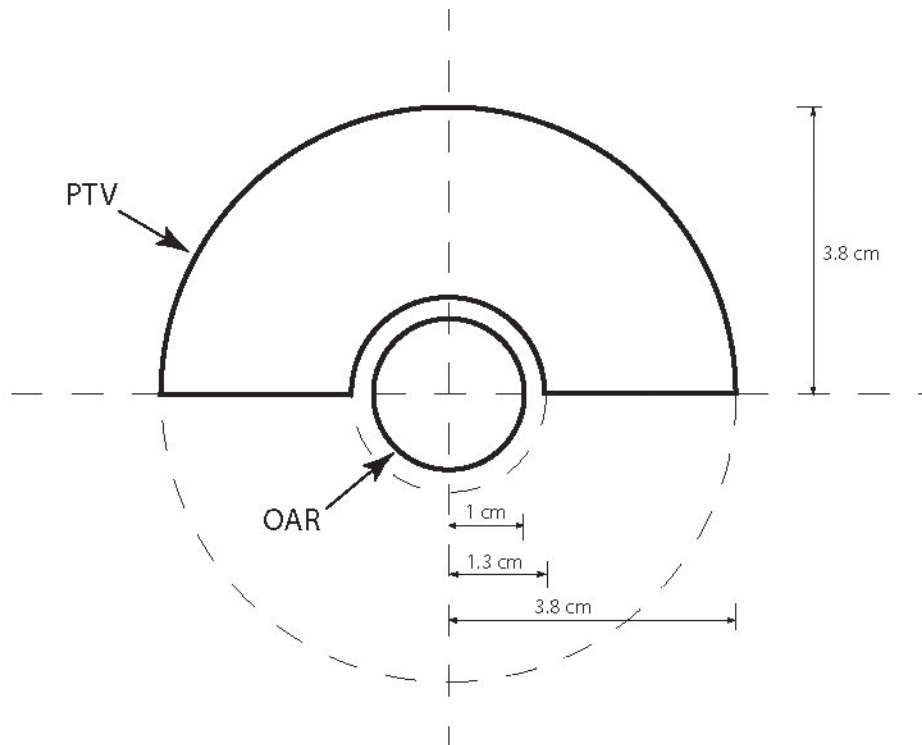
IROC RI QA Center
Phone: (401)753-7600
Email: irocri@qarc.org
<http://irocri.qarc.org>

BENCHMARK CASE:

Patient Data Selection:

For the IMRT benchmark case, a planning CT scan in the head region or in the pelvic region from your institution shall be used. The image data set shall extend at least 10 cm superiorly/inferiorly with slice thickness no greater than 3 mm. The geometry of the target volume (PTV) and the organ at risk (OAR) is described below and shown in figure 1. The benchmark case must be planned with a planning system that is capable of transferring a patient's beams to a QA phantom. In addition to the treatment planning exercise, measurements with the QA phantom are required. If your planning system does not have this capability, contact the appropriate QA office for guidance.

The geometry of the target volume (PTV) and organ at risk (OAR) is shown below. The primary organ at risk (OAR) is a central (midplane) cylinder 2.0 cm in diameter which extends at least 5 cm caudad/cephalad. The planning target volume (PTV) to be treated is a half annulus 2.5 cm wide that has the same center as the OAR and surrounds the cylinder by 180 degrees. It too shall extend at least 5 cm caudad/cephalad. There shall be a 3 mm separation of the PTV and OAR. In other words, the annulus has an inner radius of 1.3 cm and an outer radius of 3.8 cm.



For “step and shoot” and “sliding window” techniques the treatment plan shall consist of beams from at least 4 and not more than 9 gantry angles. Tomotherapy and other dynamic arc treatments (e.g. RapidArc and VMAT) shall be delivered in the usual clinical manner. All beams shall be coplanar in the plane of the axial slices; i.e. the patient’s longitudinal axis must be parallel to the gantry’s rotational axis.

Desired Dose Distribution:

The aim of the plan is to deliver the prescribed dose of 200 cGy per fraction to 100% of the PTV and not more than 120 cGy (60% of the prescribed dose) to 5% of the organ at risk (OAR). The constraint on the organ at risk has priority over the target volume coverage. That is, the constraint of no more than 60% of the prescribed dose to 5% of the OAR *shall* be achieved. To accomplish the OAR constraint, target volume (PTV) coverage may be sacrificed slightly, if necessary, as long as the acceptability criteria below are satisfied. The maximum dose to any point within the irradiated volume should be no more than 120% of the prescribed dose. The constraint on maximum dose is also of lower priority than the constraint on the organ at risk and so may be sacrificed slightly if necessary provided that the point of maximum dose is within the PTV.

Dose Calculations:

Dose distributions shall be calculated on every axial slice through the PTV and OAR. Isodose distributions shall be in absolute dose. Dose volume histograms for the PTV and the OAR shall be calculated. In addition, a DVH for “unspecified tissue” shall be calculated. Unspecified tissue is defined as tissue contained within the skin, but which is not otherwise contained within delineated structures.

An IMRT benchmark will be judged to be acceptable if it satisfies the following criteria:

1. 95% of the PTV must receive at least 95% of the prescribed dose (i.e.190 cGy).
2. No more than 5% of the PTV shall receive a dose greater than 115% (230 cGy) of the prescribed dose.
3. No more than 5% of the OAR shall receive greater than 60% (120 cGy) of the prescribed dose.

Dose Verification:

The absolute dose and dose distribution shall be verified by the institution by transferring the calculated dose distribution to the institution’s QA phantom. The geometry of the QA verification delivery shall be the same geometry that is used clinically for patient IMRT QA. Similarly, the decision to measure and analyze fields individually or cumulatively shall be determined by the institution’s usual practice for routine patient QA. The dose distribution in the QA phantom shall be measured in at least one plane. The measured plane(s) shall correspond to plane(s) calculated in the planning software.

Material to be submitted:

Institutions must submit the IMRT plan electronically via sFTP to IROC Rhode Island (QARC). Plans must be submitted as DICOM RT. Submission instructions can be found on the IROC RI website (www.IROCRI.QARC.org).

Verification Dosimetry

1. Measured isodose distributions, on the same scale and displaying the same values as the calculated dose distributions for the verification geometry, shall be provided, preferably overlaid. Identification of the QA phantom plane and correspondence of the measured dose distribution with the calculated dose distribution must be explicit.
2. A complete description of the equipment used to measure the dose (e.g. diode array, ion chamber array, film) and the method, including software, used to compare the calculated with the measured isodose distributions must be included.
3. A detailed description of your verification procedures for absolute dose, including your acceptance criteria, must be submitted. Measurements performed with an absolute dosimeter shall be described in detail and the results for this case reported.

Facility Questionnaire:

Institutions shall also submit or update their IMRT Facility Questionnaire on the IROC Houston website (<http://irochouston.mdanderson.org>).

For questions regarding the completion of this benchmark, contact:

IROC Houston QA Center
Phone: (713)745-8989
Email: irochouston@mdanderson.org